

## FECON GREASE EXTRACTION FILTER

The Vianen FECON filter is designed to extract grease from cooking vapors in commercial kitchen ventilation systems. The semi-circular channel construction of the filter guarantees the highest attainable grade of grease extraction by creating a centrifugal force in the filter. The efficiency of the Fecon filter is 95 %. The grease collects in the lowest part of the filter preventing clogging and maintaining an even extraction over the entire length of the ventilation system. The filters are placed at an angle of approximately 45° in the canopy and are easily removable. The FECON filter is flame resistant and in case of flash fires the FECON filters prevent the flames from penetrating into the ductwork.

## CONSTRUCTION

Vianen FECON filters are constructed from stainless steel type 304 (DIN 1.4031 grit 320) 1.20 mm thick. The 36 mm thick filter is constructed without rivets and is provided with two integrated handles formed from the surrounding frame. On the top and bottom the filter 10% is open for the out stream of grease and moisture. The Fecon filters are resistant to aggressive detergents.

## Advantages:

- High grease extraction rate
- Solid construction
- Entirely constructed of stainless steel
- Simple to remove without tooling
- Flame retardant according to DIN 4102 fire safety standard
- Easy maintenance in any commercial dish wash machine



## Certificates:

NSF - tested and approved for their high standard of hygiene.  
TNO-fire certificate (fire resistant according to DIN 4102)



## V-ITL INTEGRATED LIGHT FITTINGS

The canopies are fitted with V-ITL recessed fluorescent light fittings which are specifically designed for the VIANEN stainless steel canopies. The light fittings comply with the requirements of IP54 and come complete with electrical terminal connection box. The frame is a seamless stainless steel construction and the "CREPI" glass is both heat and shock resistant. The frame is locked into position with captive quick release stainless steel screws and supported by two safety chains

TYPE	EXECUTION	TYPE	EXECUTION
V-ITL 118	1 x 18 W	V-ITL 218	2 x 18 W
V-ITL 136	1 x 36 W	V-ITL 236	2 x 36 W
V-ITL 158	1 x 58 W	V-ITL 258	2 x 58 W

- Standard electrical supply is 220/240V 50Hz
- Vianen can offer lights to suit other electrical supply requirements
- In-built emergency lights can also be incorporated in our designs upon request

## BASIC LINE V-ADL / V-EDL / V-DDL



## ADVANTAGES

- Welded construction with no visible mechanical fixings
- Easily accessible and removable grease collection trays
- Full perimeter condensation channel

# V-ADL / V-EDL / V-DDL CANOPY

## DESCRIPTION

Suitable for all types of cooking equipment whether wall mounted or in an island arrangement. Canopy easily interfaces with the kitchen ceiling.

## CONSTRUCTION

The canopy is fabricated from 18 swg (1.0 – 1.20 mm thick) type 304 stainless steel. All visible surfaces are ultra fine grain polished to 320 grit and polythene protected. The canopy is cut, punched and folded into sub-sections of up to 6000 mm in length and factory assembled by means of computer controlled seam welds and non mechanical fixings. Joints are provided with internal cover-plates so that no joints or mechanical fixings are visible. All metal edges are rolled smooth and are free from sharp edges and projections. The canopy lower edge is formed into a full perimeter condensation channel with inclined internal elevation to simplify cleaning and the inner edges are crush folded for safety purposes.

The canopy is equipped with VIANEN Fecon grease extraction baffle filters. The filters are designed to allow the grease to run off the filters into an integral grease collecting channel and then into easily removable grease trays. The canopy has a constant exhaust pressure drop of 100 Pa.

## INSTALLATION

Hanging brackets are fitted to the top corners of the canopy for easy installation.

THE VIANEN BASIC LINE IS AVAILABLE IN THE FOLLOWING CONFIGURATIONS:

V-ADL	WALL MOUNTED	Width 950 / 1100 / 1300mm	Height 600mm
V-EDL	SINGLE ISLAND	Width 950 / 1100 / 1300mm	Height 600mm
V-DDL	DOUBLE ISLAND	Width 1600 / 2000 / 2400mm	Height 600mm

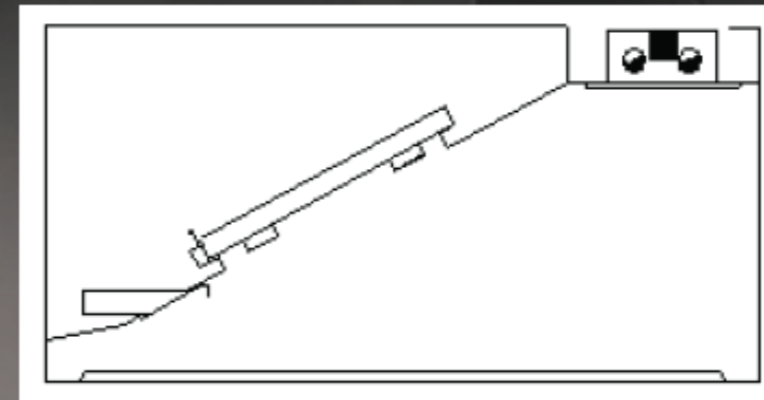
Canopies in other dimensions are available to suit site specific requirements.

## OPTIONS

The Vianen Basic Line canopies are available with several options to further increase their efficiency and improve the working environment within the kitchen space.

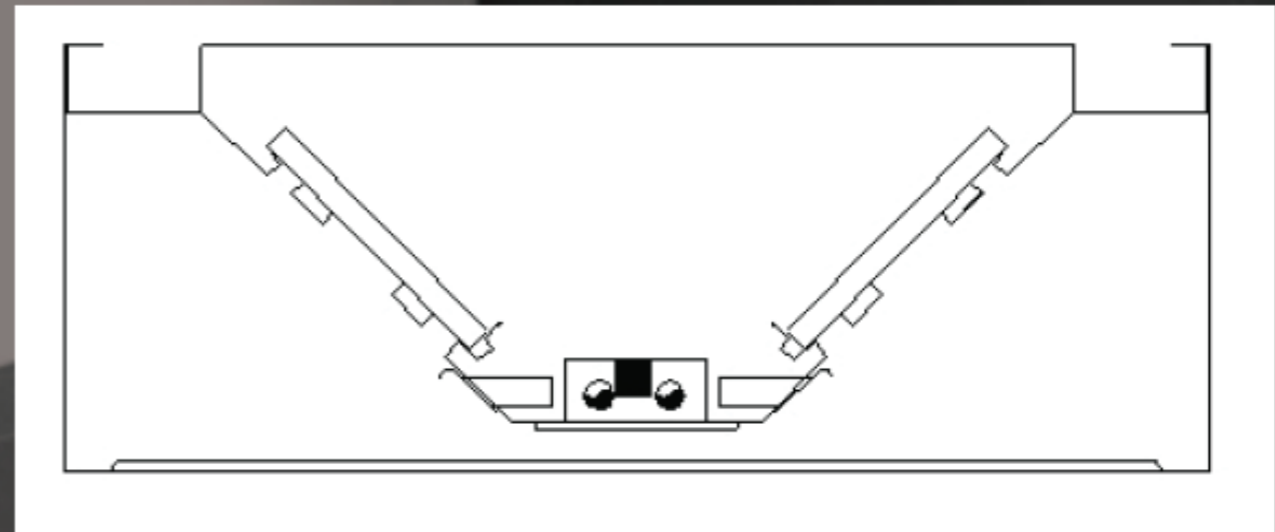
- Water Wash (WW) and also Water Misty
- Vianen Ultra Violet system (UV-C)
- Front Make Up Air (MUAP)

## V-ADL / V-EDL CROSS SECTION



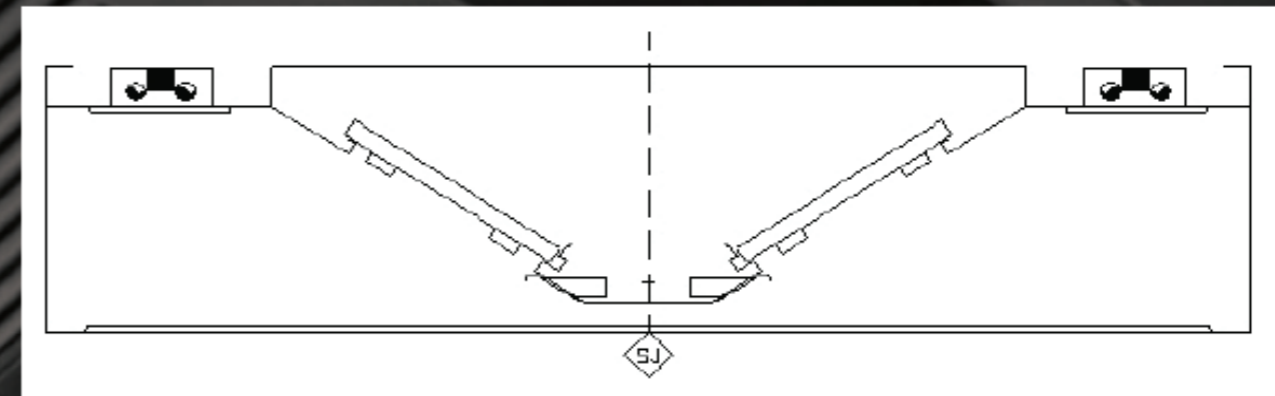
Cross section of the V-ADL (wall model) or V-EDL (single wall model)

## V-DDL (1600mm LENGTH) CROSS SECTION



Cross section of the V-DDL single light lane (double island model)

## V-DDL (2000 - 2400 mm LENGTH) CROSS SECTION



Cross section of the V-DDL double light lane (double island model)